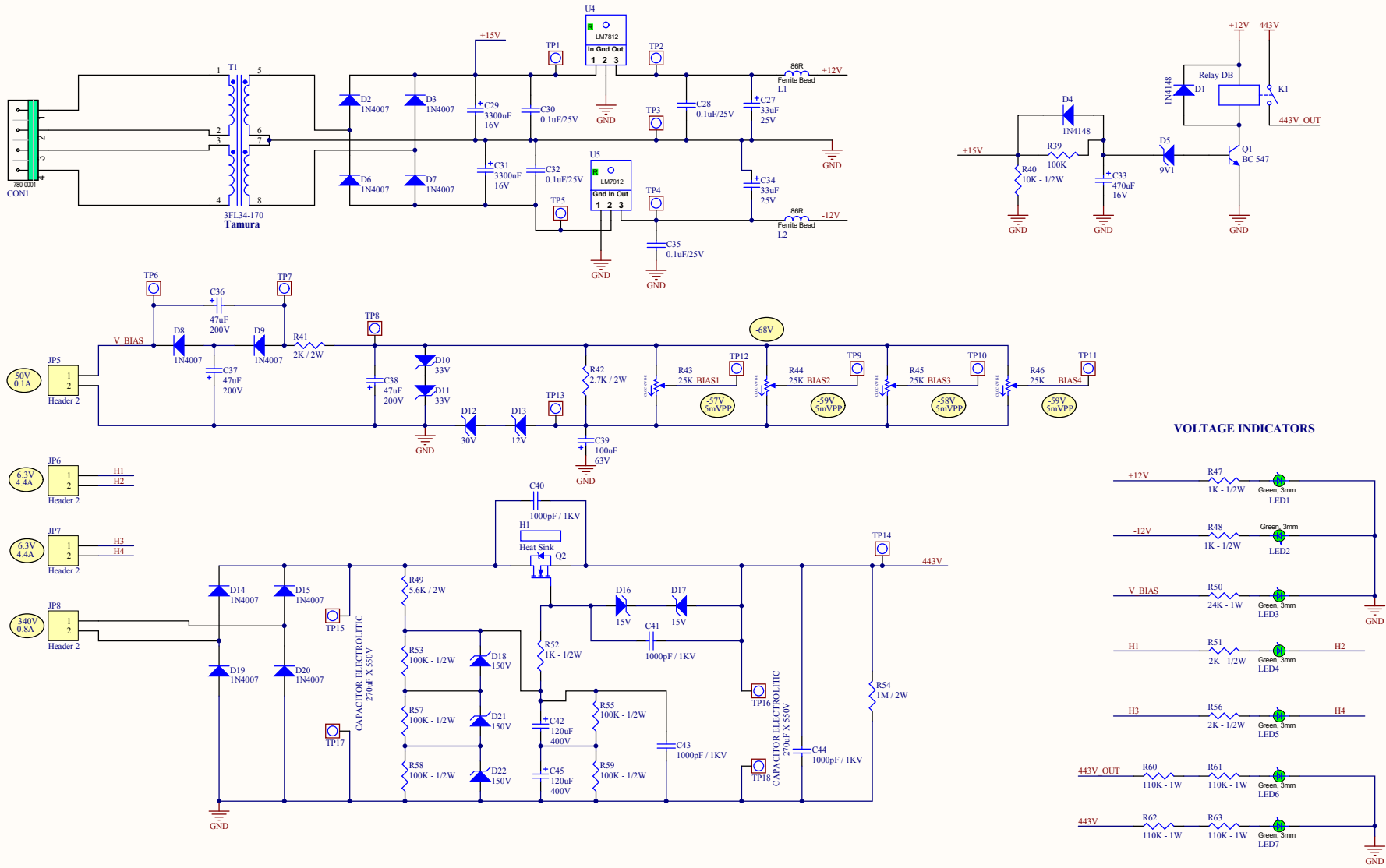
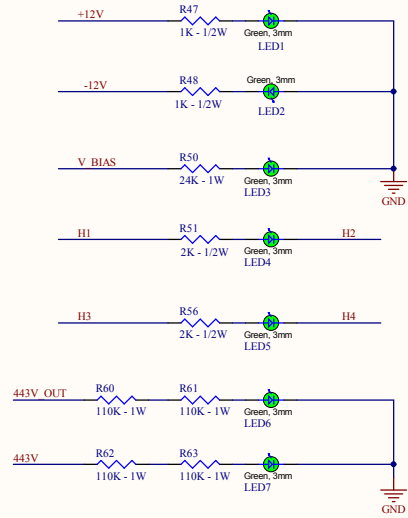


Note: All resistor are 1/2W otherwise noted



**VOLTAGE INDICATORS**



Title <b>TUBE AMPLIFIER WITH KT-88</b>			HALG Circuit Design LLC 412 W Chestnut Ave AP-02 Metuchen - NJ 08840
Size: A3	Number: 122007	Revision: A	
Date: 8/17/2010	Time: 3:50:10 PM	Sheet 02 of 02	
File: F:\KT88\KT88_pg2_SCHDOC			

