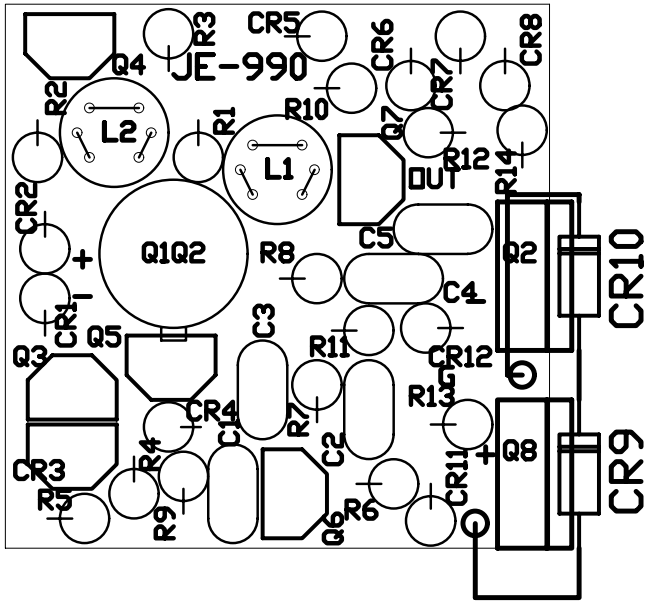


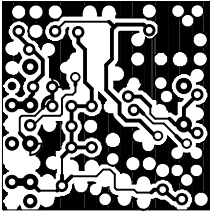
| | |
|-------------------------|--|
| D 9 D I 9 0 Y 0 A | JENSEN JE-990 DIY PCB WITH '2520' FOOTPRINT |
| M.NATS | 10 DEC 2006 |
| 990G.PCB | VERSION 1a |



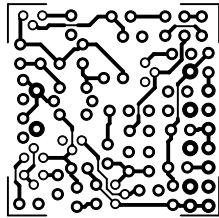
| | | | |
|-------------|-------------|-------------|--|
| D I Y | 9 9 0 | D Q A | JENSEN JE-990 DIY PCB WITH "2520" FOOTPRINT |
| M.NATS | 10 DEC 2006 | | |
| 990G.PCB | VERSION 1a | | |

NOTES:
 ALL DIODES BAND (CATHODE) TOWARD CIRCULAR FOOTPRINT
 EXCEPT CR9/CR10 THAT ARE THERMALLY BONDED TO Q8/Q9.
 CR3 IS A DIODE-CONNECTED TRANSISTOR AS PER JENSEN.

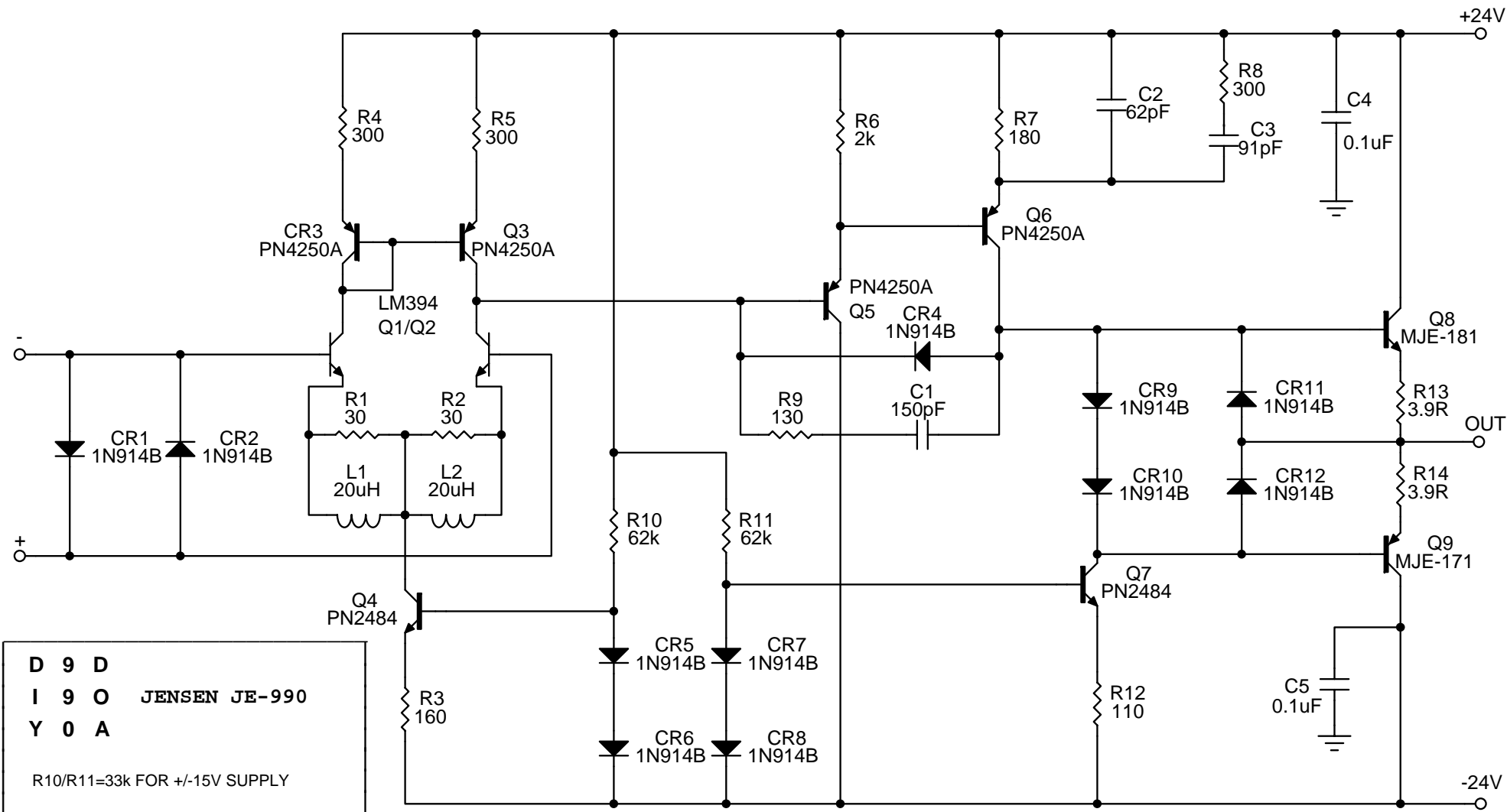
| BILL OF MATERIALS | | |
|--------------------------|------------------------|-----------------|
| Q1,Q2 -- LM394 | L1,L2 -- 20uH FB6 CORE | R12 -- 110 |
| Q3,Q5,Q6,Q10 -- PN4250A | R1,R2 -- 30R | R13,R14 -- 3.9R |
| Q4,Q7 -- PN2484 | R3 -- 160 | C1 -- 150pF |
| Q8 -- MJE-181 | R4,R5,R8 -- 300 | C2 -- 62pF |
| Q9 -- MJE-171 | R6 -- 2k | C3 -- 91pF |
| CR1,CR2,CR4,CR5, | R7 -- 180 | C4,C5 -- 0.1uF |
| CR6,CR7,CR8,CR9, | R9 -- 130 | |
| CR10,CR11,CR12 -- 1N914B | R10,R11 -- 62k | |



TDP LAYER



BOTTOM LAYER



D 9 D
I 9 O JENSEN JE-990
Y 0 A
 R10/R11=33k FOR +/-15V SUPPLY